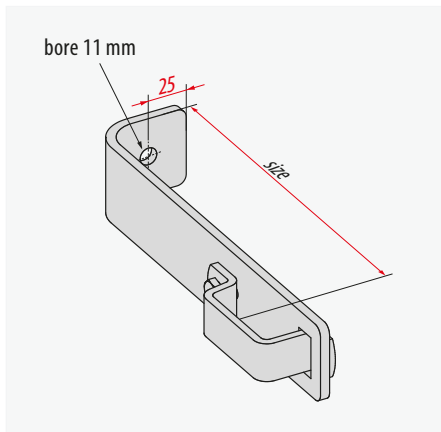


## Individual elements – Wall mountings

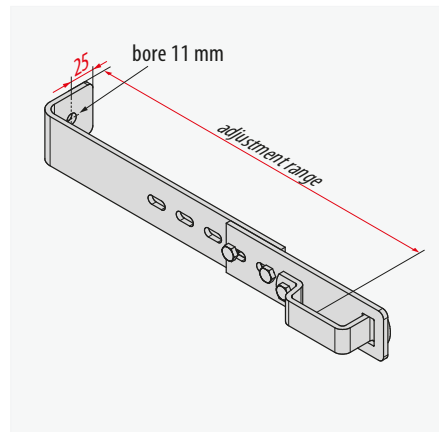
### Standard wall hook



Type	alu	steel
Size (approx. mm)	210	210
Order no.	0050139	0051568

- › Fits 60×24 mm stile.
- › Without screws for wall attachment.

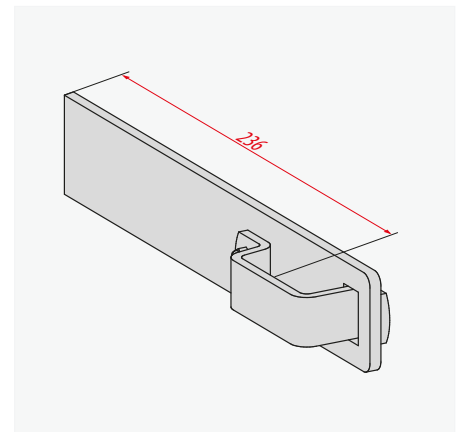
### Adjustable wall hook



Type	steel
Adjustment range (approx. mm)	172–300
Order no.	0051572

- › Only available in galvanised steel.
- › Fits 60×24 mm stile.
- › Without screws for wall attachment.

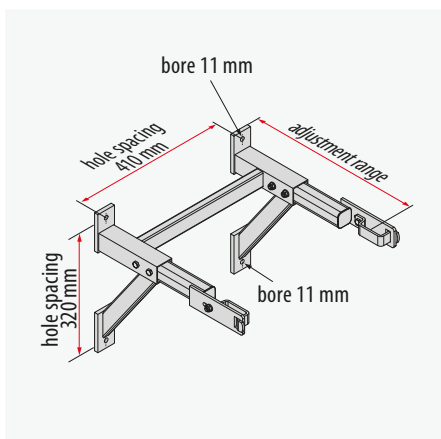
### Straight wall mounting



Type	alu	steel
Size (approx. mm)	236	236
Order no.	0050141	0051569

- › Fits 60×24 mm stile.

### Adjustable wall bracket

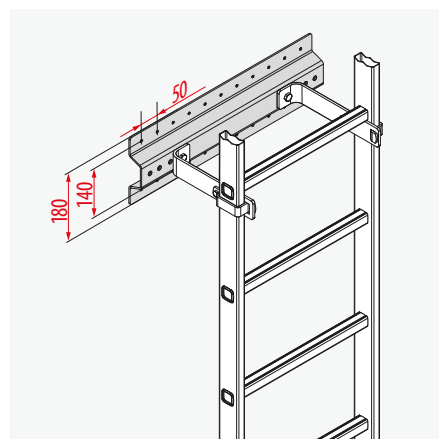


Type	alu	alu
Adj. range (approx. mm)	300–400	350–500
Order no.	0055021	0053320

Type	alu	alu
Adj. range (approx. mm)	500–650	650–800
Order no.	0053321	0053322

- › Fits 60×24 mm stile.
- › Without screws for wall attachment.

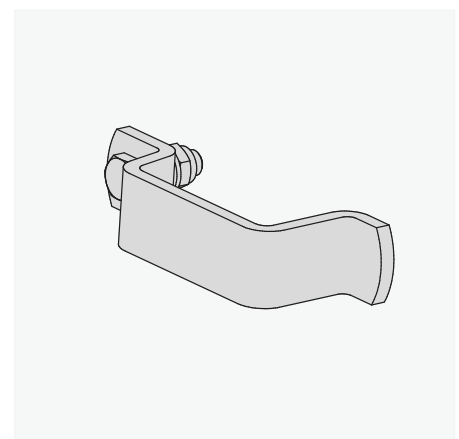
### Facing plate for wall hook for vertical ladders



Type	alu
Order no.	0055096

- › For mounting wall hooks on sheet-metal facades.
- › Incl. rubber seal strip.
- › Incl. screws and nuts for mounting wall hooks at the facade panels.
- › Without screws for fixing on facades (on site).

### Clamp 60



Type	steel
Order no.	0053946

- › Complete with screw and nut.
- › Can be used for safety cage clamp and wall mounting.

### Important:

The distance between the individual fastening points shall not exceed 2,000 mm. The fastenings shall preferably be fitted beneath the rung (maximum 1,960 mm).